

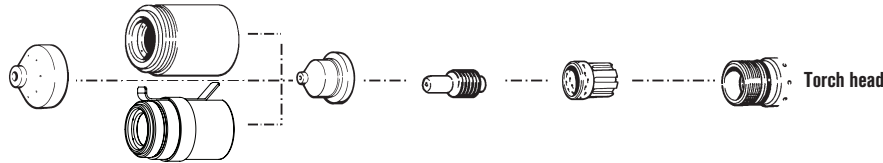
Hypertherm®

powermax600

PAC123M machine torch consumables

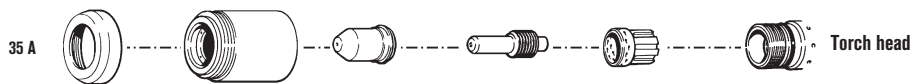


Shielded consumables



	Shield	Retaining cap	Nozzle	Electrode	Swirl ring
	120827	120600	120826	120573	120576
Ohmic		120964			

Unshielded consumables



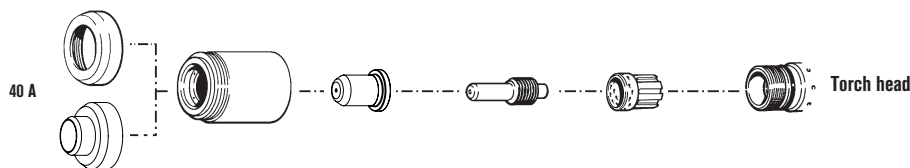
	Deflector	Retaining cap	Nozzle	Electrode	Swirl ring
35 A	120303	120600	120606	120574	120576

Gouging consumables



	Shield	Retaining cap	Nozzle	Electrode	Swirl ring
	120608	120600	120831	120573	120576

FineCut consumables



	Deflector	Retaining cap	Nozzle	Electrode	Swirl ring
40 A	120303	120600	220330	120574	120576
40 A CE	220326	120600	220330	120574	120576

Note:

The nozzles and swirl rings shown must be used as a set.



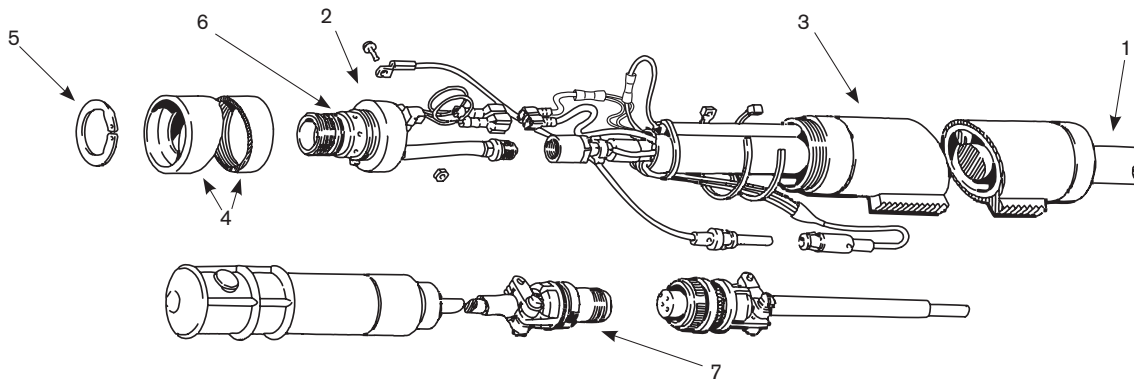
TECHNOLOGIES

FineCut®
Coaxial-assist™ jet
Vented shield
Spiral groove
HyLife®

Hypertherm, Powermax, PAC, FineCut, coaxial-assist and HyLife are trademarks of Hypertherm, Inc. and may be registered in the United States and/or other countries.

powermax600

PAC123M torch assembly



Assembly – torch with quick disconnects only for use with 208-240V and 480V systems

Part number	Description
086026*	PAC123M machine torch assembly with QD 15' (4.6 m) leads (with pigtail)
086027*	PAC123M machine torch assembly with QD 25' (7.6 m) leads (with pigtail)
086029*	PAC123M machine torch assembly with QD 50' (15.2 m) leads (with pigtail)
083219*	Test torch with 6' (1.8 m) leads
1. 128572	Torch leads with QD, 15' (4.6 m) (with pigtail)
1. 128573	Torch leads with QD, 25' (7.6 m) (with pigtail)
1. 128574	Torch leads with QD, 50' (15.2 m) (with pigtail)
123375	Work lead with clamp, 15' (4.6 m)
128379	Work lead with clamp, 50' (15.2 m)

Assembly – torch without quick disconnects only for use with 230V and 400V systems

Part number	Description
086004*	PAC123M machine torch assembly, without QD 15' (4.6 m) leads (with pigtail)
086005*	PAC123M machine torch assembly, without QD 25' (7.6 m) leads (with pigtail)
086006*	PAC123M machine torch assembly, without QD 50' (15.2 m) leads (with pigtail)
083219*	Test torch with 6' (1.8 m) leads
1. 128374	Torch leads, without QD, 15' (4.6 m) (with pigtail)
1. 128375	Torch leads, without QD, 25' (7.6 m) (with pigtail)
1. 128376	Torch leads, without QD, 50' (15.2 m) (with pigtail)
2. 120583	Torch main body with switch
3. 020620	Torch position sleeve
4. 120613	Torch sleeve
5. 027599	Snap ring
6. 044016	O-ring, Buna – N 90 Duro
7. 028714	On/Off pendant, 25' (7.6 m)
7. 128061	On/Off pendant, 50' (15.2 m)
7. 128062	On/Off pendant, 75' (22.9 m)
029257	Torch leads, 25' (7.6 m)
128379	Work lead with clamp, 50' (15.2 m)

* Assembly includes consumables

