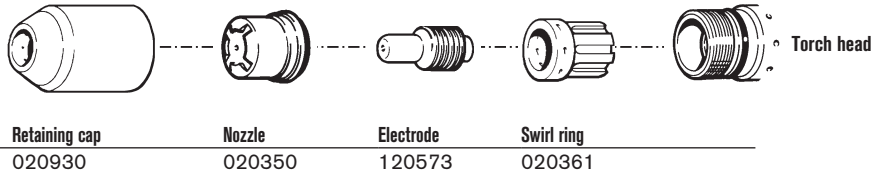


Hypertherm®

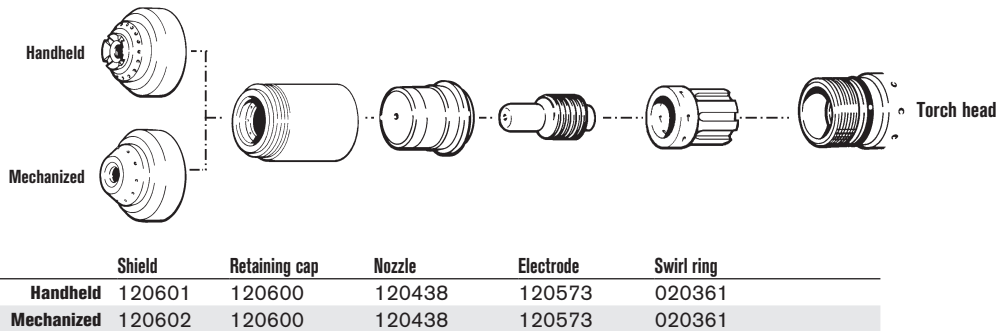
MAX40cs/42/43

PAC120/121TS/125T hand and machine torch consumables

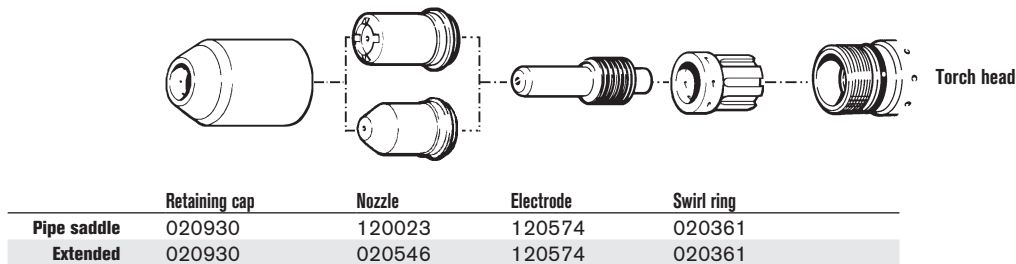
Standard consumables



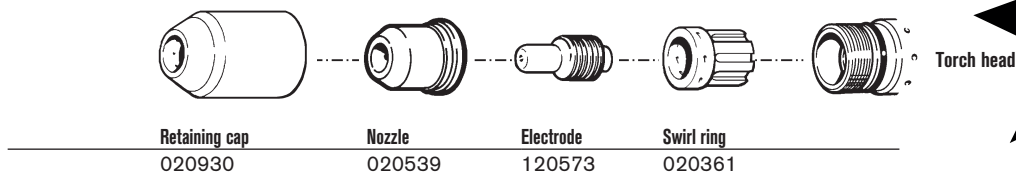
Shielded consumables



Extended* consumables



Gouging consumables



Notes:

The nozzles and swirl rings shown must be used as a set.

A label located on the torch handle indicates whether the torch is a PAC121TS or PAC125T.

* In countries following CE standards, unshielded consumables may only be used in mechanized torch applications.

** CE shield for use in countries requiring CE, CCC, GOST marks.

Hypertherm, MAX and PAC are trademarks of Hypertherm, Inc. and may be registered in the United States and/or other countries.



MAX40cs



MAX42



MAX43



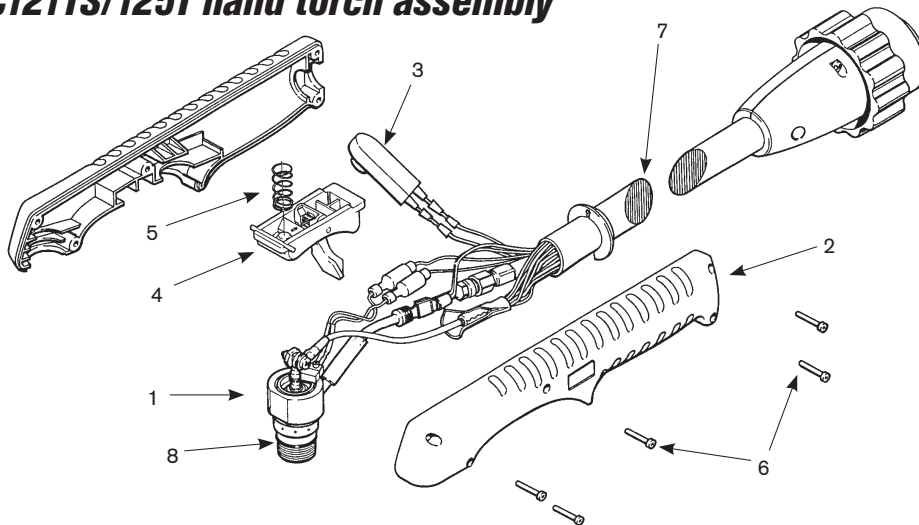
For improved performance, retrofit with the RT60 torch [see page 75].

TECHNOLOGIES

Spiral groove

MAX40cs/42/43

PAC121TS/125T hand torch assembly



Assembly – PAC121TS Torch with quick disconnects

Part number	Description
7. 129099	MAX42/43 torch leads with QD 15' (4.6 m) (N/A on MAX40cs)
7. 129001	MAX42/43 torch leads with QD 25' (7.6 m) (N/A on MAX40cs)
7. 129002	MAX42/43 torch leads with QD 50' (15.2 m) (N/A on MAX40cs)

Assembly – PAC121TS Torch without quick disconnects

Part number	Description
057172*	MAX40cs hand torch assembly without QD 25' (7.6 m) leads
057173*	MAX40cs hand torch assembly without QD 50' (15.2 m) leads
083219*	Test torch with 6' (1.8 m) leads
7. 029556	MAX40cs torch leads without QD 25' (7.6 m)
7. 029557	MAX40cs torch leads without QD 50' (15.2 m)
1. 120556	Torch main body with switch
2. 001288	Handle (includes both halves)
3. 128284	Switch, torch pushbutton, kit, HNDTCH, PBSW RPR
4. 002244	Safety trigger assembly
5. 027254	Safety trigger spring
6. 075340	Screw, #4 x 5/8" (five required)
8. 044016	O-ring, Buna – N 90 Duro
023452	MAX43 work lead with clamp, 15' (4.6 m)
023415	MAX40cs work lead with clamp, 15' (4.6 m)
023205	MAX42 work lead with clamp, 15' (4.6 m)

Assembly – PAC125T

Part number	Description
083128*	MAX42/43 safety trigger torch assembly with 25' (7.6 m) leads
083129*	MAX42/43 safety trigger torch assembly with 50' (15.2 m) leads
083219*	Test torch with 6' (1.8 m) leads
1. 120570	Torch main body with switch
2. 001288	Handle (includes both halves)
3. 128284	Switch, torch pushbutton, kit, HNDTCH, PBSW RPR
4. 002244	Safety trigger assembly
5. 027254	Safety trigger spring
6. 075340	Screw, #4 x 5/8" (five required)
7. 129479	MAX42/43 torch leads with QD 15' (4.6 m) (N/A on MAX40cs)
7. 129352	MAX42/43 torch leads with QD 25' (7.6 m) (N/A on MAX40cs)
7. 129353	MAX42/43 torch leads with QD 50' (15.2 m) (N/A on MAX40cs)
8. 044016	O-ring, Buna – N 90 Duro
023452	MAX43 work lead with clamp, 15' (4.6 m)
023415	MAX40cs work lead with clamp, 15' (4.6 m)
023205	MAX42 work lead with clamp, 15' (4.6 m)

*Assembly includes consumables

Note:

A label located on the torch handle indicates whether the torch is a PAC121TS or PAC125T.

Hypertherm, MAX and PAC are trademarks of Hypertherm, Inc. and may be registered in the United States and/or other countries.

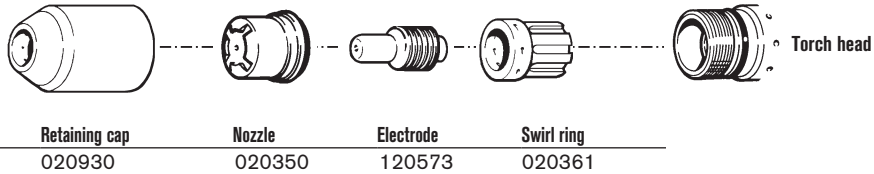


Hypertherm®

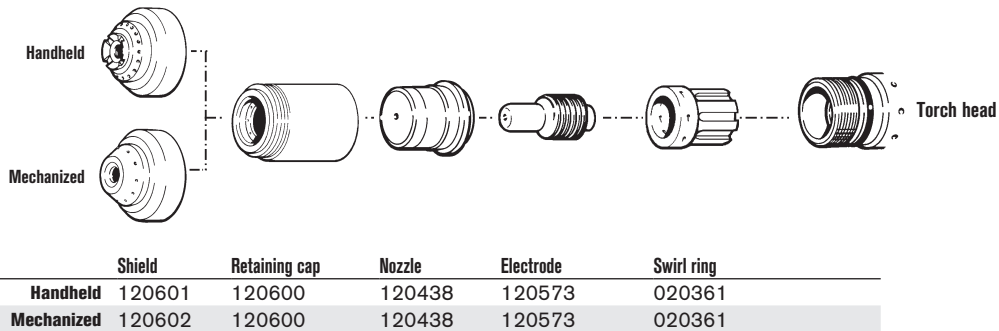
MAX40cs/42/43

PAC121P hand and machine torch consumables

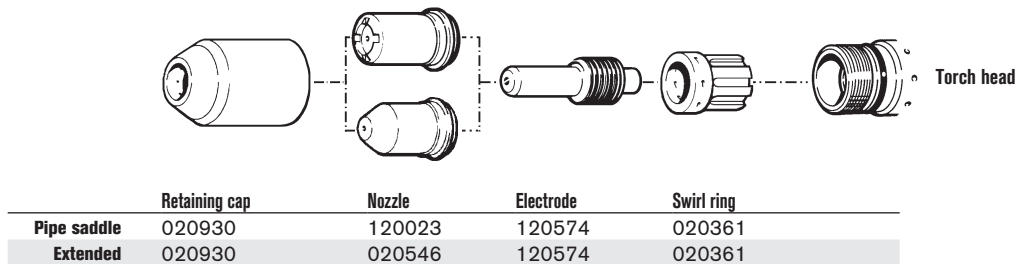
Standard consumables



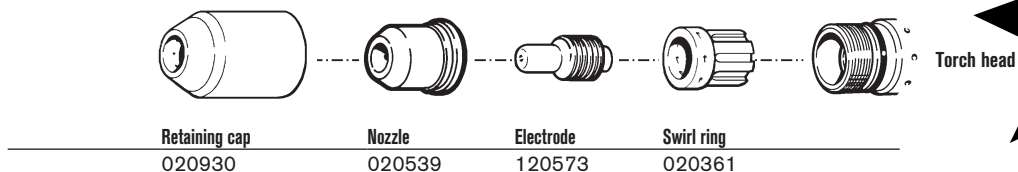
Shielded consumables



Extended* consumables



Gouging consumables



Notes:

The nozzles and swirl rings shown must be used as a set.

* In countries following CE standards, unshielded consumables may only be used in mechanized torch applications.

** CE shield for use in countries requiring CE, CCC, GOST marks.

Hypertherm, MAX and PAC are trademarks of Hypertherm, Inc. and may be registered in the United States and/or other countries.



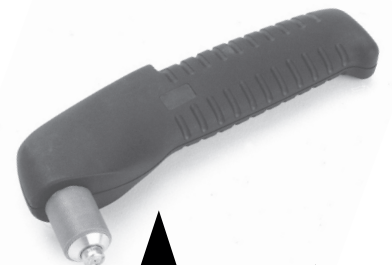
MAX40cs



MAX42



MAX43



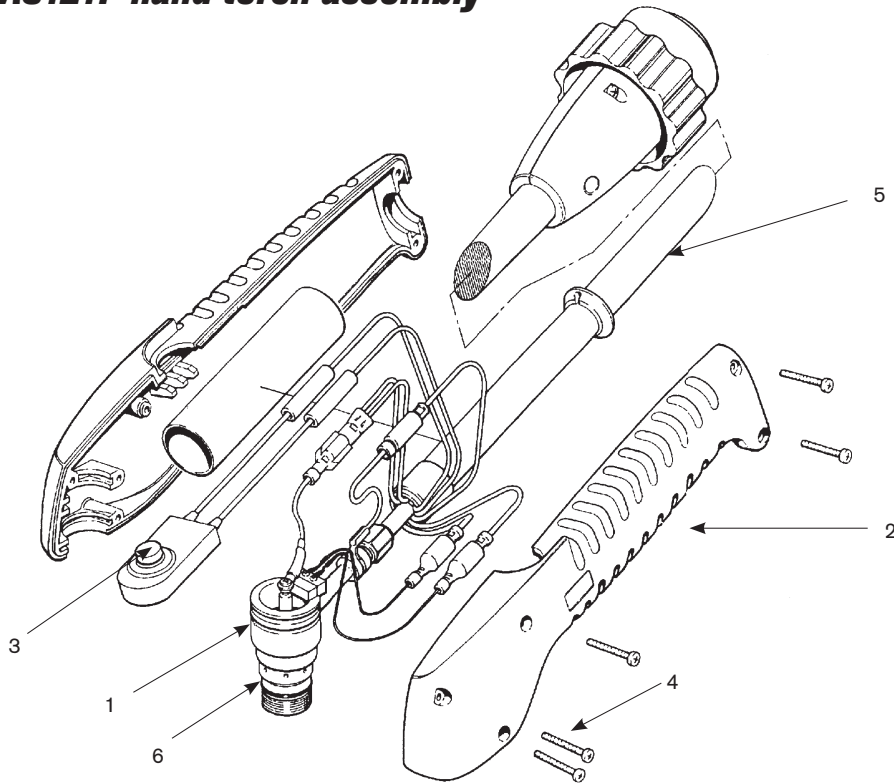
For improved performance, retrofit with the RT60 torch [see page 75].

TECHNOLOGIES

Spiral groove

MAX40cs/42/43

PAC121P hand torch assembly



Assembly – PAC121P torch with quick disconnects

Part number	Description
5. 029391	MAX42/43 torch leads with QD 25' (7.6 m) (N/A on MAX40cs)
5. 029392	MAX42/43 torch leads with QD 50' (15.2 m) (N/A on MAX40cs)

Assembly – PAC121P torch without quick disconnects

Part number	Description
057176*	MAX40cs hand torch assembly without QD 25' (7.6 m) leads
057177*	MAX40cs hand torch assembly without QD 50' (15.2 m) leads
083219*	Test torch with 6' (1.8 m) leads
5. 029483	MAX40cs torch leads without QD 25' (7.6 m)
5. 029484	MAX40cs torch leads without QD 50' (15.2 m)
071069*	MAX42/43 hand torch assembly, 25' (7.6 m) leads
071070*	MAX42/43 hand torch assembly, 50' (15.2 m) leads
1. 120013	Torch main body with switch
2. 001215	Handle (includes both halves)
3. 005094	Switch, torch pushbutton
4. 075365	Screw, #6 x 3/4" (five required)
6. 044016	O-ring, Buna – N 90 Duro
023452	MAX43 work lead with clamp, 15' (4.6 m)
023415	MAX40cs work lead with clamp, 15' (4.6 m)
023205	MAX42 work lead with clamp, 15' (4.6 m)

*Assembly includes consumables

