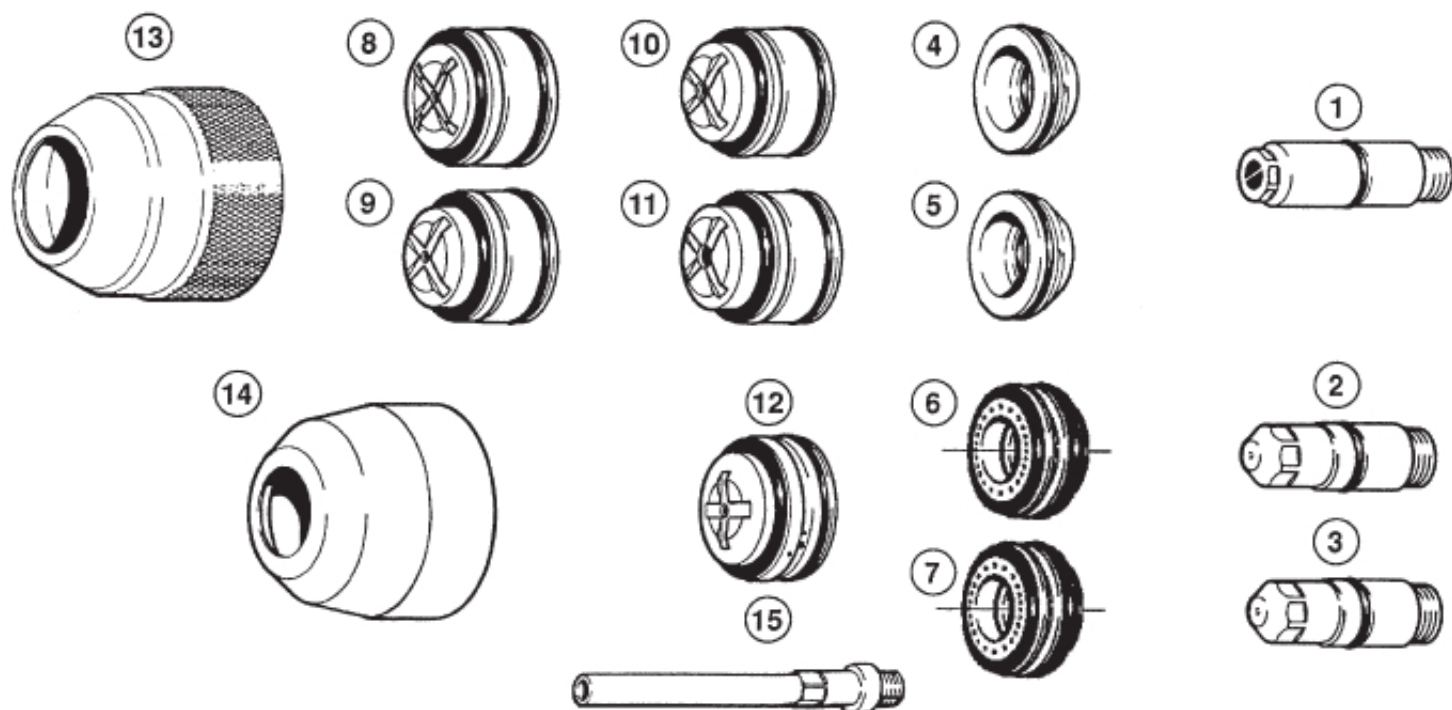
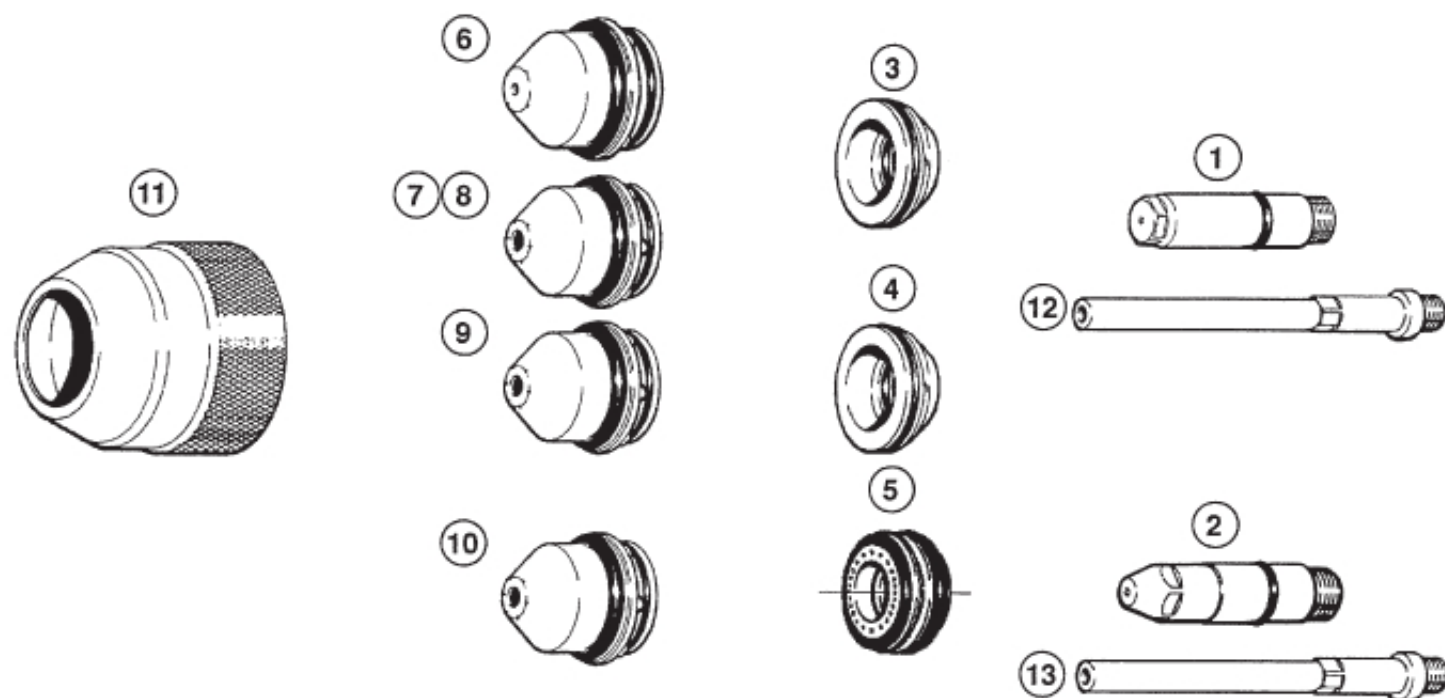


HT4001 with Slave Mechanized Torch Standard Consumables



STANDARD ITEM	PART NUMBER	DESCRIPTION
1	020285	Electrode: Nitrogen
2	020663	Electrode: Oxygen, 260A
3	120630	Electrode: Oxygen, 340A
4	020039	Swirl Ring: Nitrogen, .120/.166/.187
5	020040	Swirl Ring: Nitrogen, .220
6	020623	Swirl Ring: Oxygen
7	120135	Swirl Ring: Oxygen, 340A
8	020281	Nozzle: Nitrogen, .120
9	020282	Nozzle: Nitrogen, .166
10	020283	Nozzle: Nitrogen, .187
11	020284	Nozzle: Nitrogen, .220
12	020086	Nozzle: Oxygen
13	020580	Retaining Cap: Nitrogen, Standard (Vectra)
14	020579	Retaining Cap: Tprd Nozzle Standard (Vectra)
15	020990	Water Tube: 400/600/170

HT4001 with Slave Mechanized Torch Bevel Consumables



BEVEL ITEM	PART NUMBER	DESCRIPTION
1	020968	Electrode: PAC620 Bevel Nitrogen
2	020975	Electrode: PAC620 Bevel Oxygen
3	020039	Swirl Ring: Nitrogen, .120/.166/.187
4	020040	Swirl Ring: Nitrogen, .220
5	020623	Swirl Ring: Oxygen
6	120386	Nozzle: PAC620 Bevel Nitrogen, .120
7	120387	Nozzle: PAC620 Bevel Nitrogen, .166
8	120388	Nozzle: PAC620 Bevel Nitrogen, .187
9	120389	Nozzle: PAC620 Bevel, Nitrogen, .220
10	120384	Nozzle: PAC620 Bevel, Oxygen, .099
11	120390	Retaining Cap: PAC620 Bevel (Vectra)
12	020991	Water Tube: PAC620 Bevel, Nitrogen
13	020992	Water Tube: PAC620 Bevel, Oxygen