

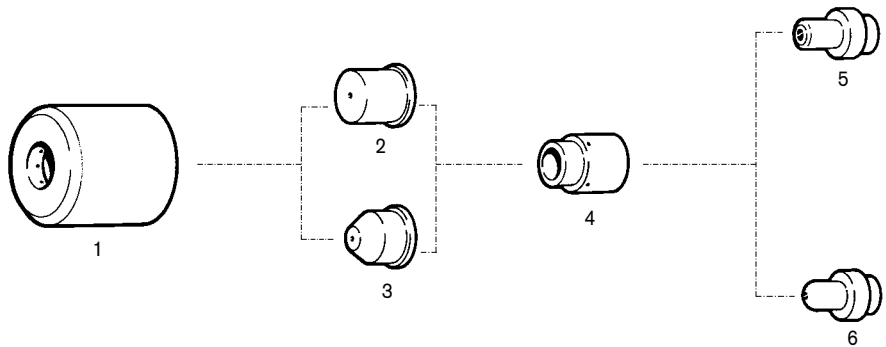
Hypertherm®

HT40

HT40 consumables



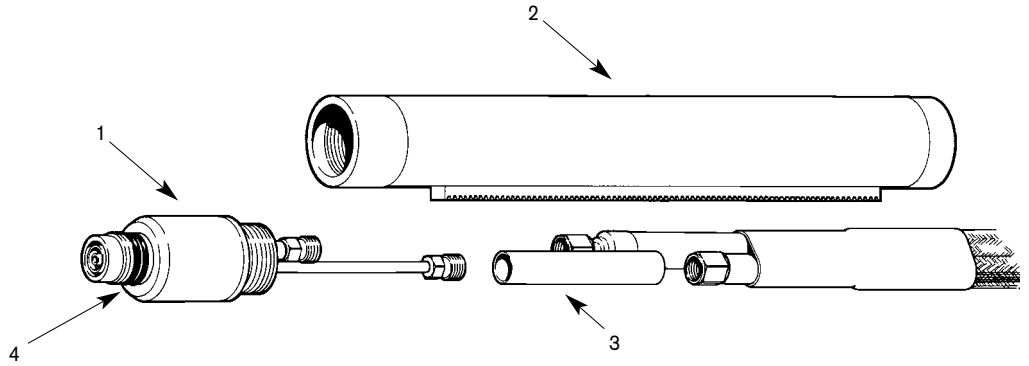
HT40



HT40C

ITEM NUMBER	PART NUMBER	DESCRIPTION	QUANTITY PER PACKAGE
1	020104	Retaining Cap, Standard	1
2	020102	Nozzle, 40 Amp	5
3	020131	Nozzle, Pipe Saddle	5
4	020101	Swirl Ring	1
5	020167	Electrode, Nitrogen	5
6	020103	Electrode, Air	5

HT40 mechanized torch assembly



ITEM NUMBER	PART NUMBER	DESCRIPTION
	028287 [^]	Torch Assembly, HT40
1	020114	Torch Main Body, HT40
2	020231	Torch Position Sleeve, 10 3/4" (included in 028287)
2	020269	Torch Position Sleeve, 18"
3	004302	Lead Insulator
4	044016	O-Ring, Buna - N 90 Duro
	028288	Leads, Torch, 25' / 7.6 m
	028289	Leads, Torch, 35' / 10.7 m
	028290	Leads, Torch, 50' / 15.2 m

[^] Assembly includes consumables