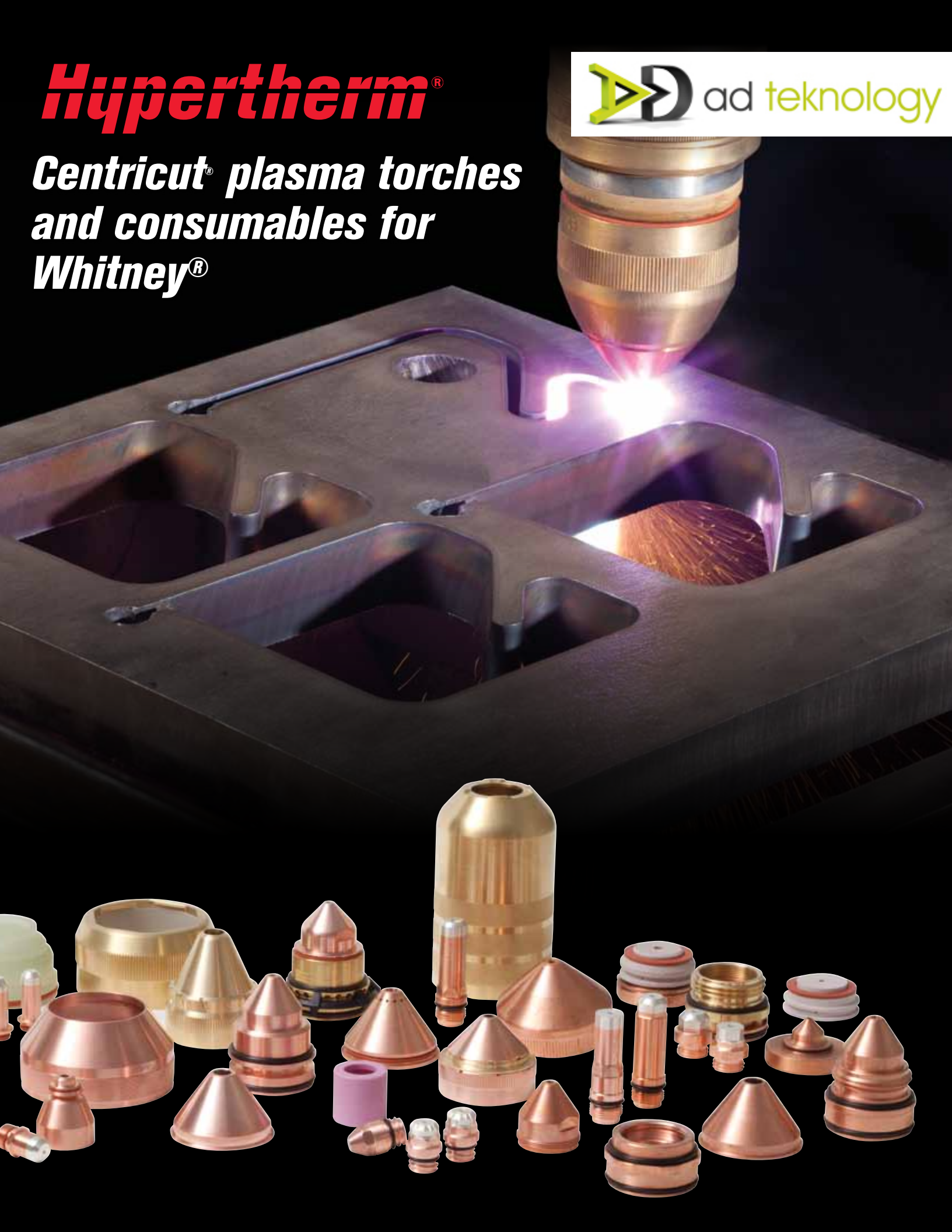


Hypertherm[®]

***Centricut[®] plasma torches
and consumables for
Whitney[®]***

 ad technology



Product is available for the following major OEM brands

AMADA®

ESAB®

KALIBURN®

KJELLBERG®

KOIKE®

KOMATSU®

LINCOLN®

THERMAL

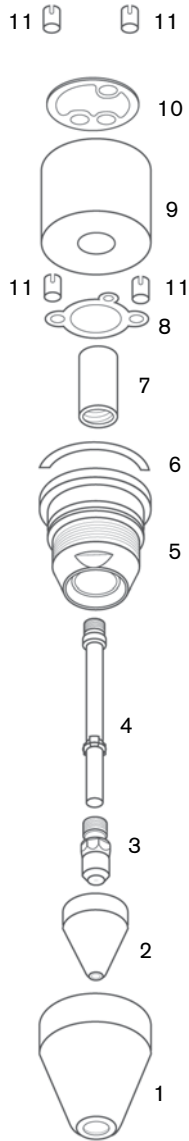
DYNAMICS®

WHITNEY®

WIEDEMANN®

OEM Whitney®

System OW250®

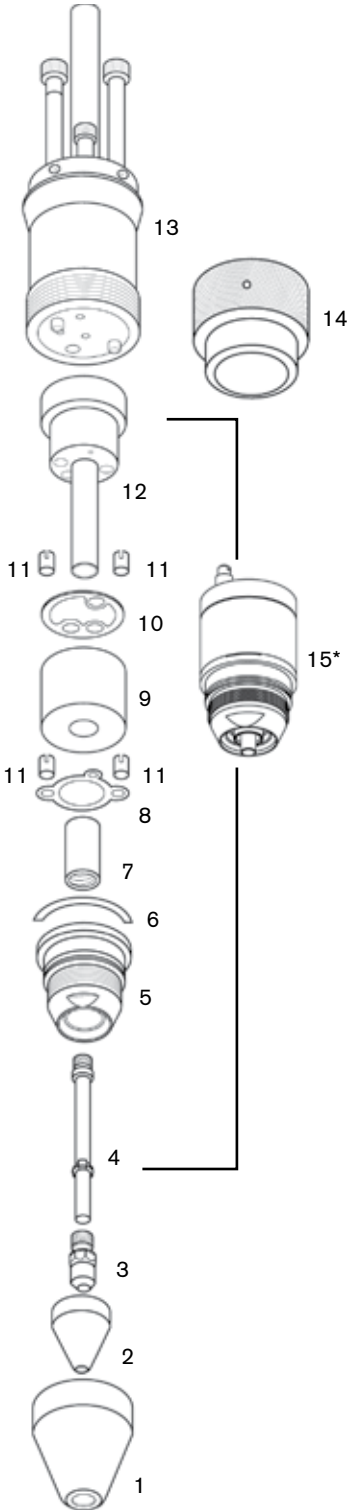


Consumables

| Centricut part number | Reference number | Description | Pkg qty |
|-----------------------|------------------|--|---------|
| 1 C14-332 | 648-332 | Nose piece | 1 |
| 2 C14-330 | 648-330 | Nozzle, Air, 063, 150 amp | 5 |
| C14-331-S | 648-331 | Nozzle, Air, .098 | 5 |
| C14-731 | N/A | Nozzle, Air, .110 | 5 |
| 3 C14-328 | 648-328 | Electrode, low amp, Air, 150 amp | 5 |
| C14-327 | 648-327 | Electrode, Air, with o-ring C14-010, 250 amp | 5 |
| C14-927 | 648-327 | Electrode, Air, without o-ring, 250 amp | 5 |

Maintenance items

| Centricut part number | Reference number | Description | Pkg qty |
|-----------------------|------------------|-------------------------------|---------|
| 4 C14-326 | 648-326 | Cooling tube | 1 |
| 5 C14-280 | 648-280 | Nozzle holder | 1 |
| 6 C14-282 | 648-282 | Gasket spacers | 2 |
| 7 C14-281 | 648-281 | Gas guide ring | 1 |
| 8 C14-286 | 648-286 | Lower gasket | 5 |
| 9 C14-287 | 648-287 | Insulating spacer | 1 |
| 10 C14-288 | 648-288 | Middle gasket | 5 |
| 11 C14-285 | 648-285 | Hole guides | 5 |
| C14-010 | N/A | O-ring | 5 |
| C14-283 | 648-283 | O-ring | 5 |
| C14-284 | 648-284 | O-ring | 5 |
| C14-793 | 649-793 | O-ring seal | 4 |
| 027055 | N/A | Lubricant .25 oz. (7 ml) tube | 1 |



Consumables

| Centricut part number | Reference number | Description | Pkg qty |
|-----------------------|------------------|--|---------|
| 1 C14-332 | 648-332 | Nose piece | 1 |
| 2 C14-330 | 648-330 | Nozzle, Air, .063, 150 amp | 5 |
| C14-331-S | 648-331 | Nozzle, Air, .098 | 5 |
| C14-731 | N/A | Nozzle, Air, .110 | 5 |
| 3 C14-328 | 648-328 | Electrode, low amp, Air, 150 amp | 5 |
| C14-327 | 648-327 | Electrode, Air, with o-ring C14-010, 250 amp | 5 |
| C14-927 | 648-327 | Electrode, Air, without o-ring, 250 amp | 5 |

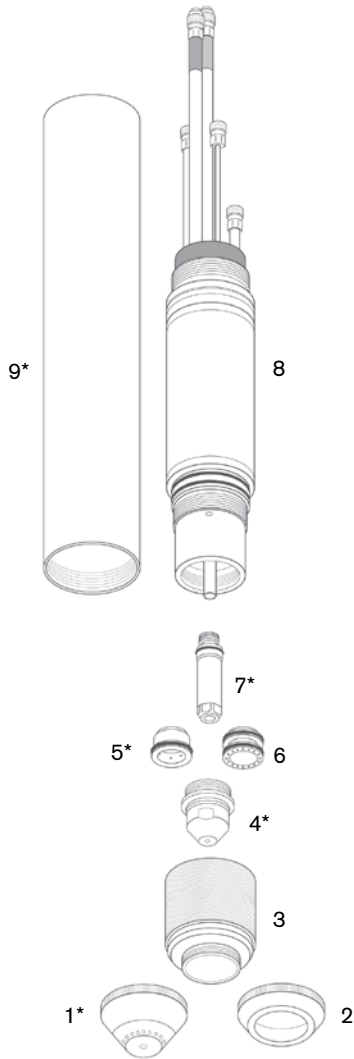
Maintenance items

| Centricut part number | Reference number | Description | Pkg qty |
|-----------------------|------------------|---|---------|
| 4 C14-794 | 649-794 | Cooling tube | 1 |
| 5 C14-280 | 648-280 | Nozzle holder | 1 |
| 6 C14-282 | 648-282 | Gasket spacers | 2 |
| 7 C14-281 | 648-281 | Gas guide ring | 1 |
| 8 C14-286 | 648-286 | Lower gasket | 5 |
| 9 C14-959 | 649-959 | Insulating spacer | 1 |
| 10 C14-288 | 648-288 | Middle gasket | 5 |
| 11 C14-285 | 648-285 | Hole guides | 5 |
| 12 C14-960 | 649-960 | Manifold | 1 |
| C14-793 | 649-793 | O-ring seal | 4 |
| 13 C14-964 | 649-964 | Upper body | 1 |
| C14-962 | 649-962 | High frequency socket | 1 |
| C14-963 | 649-963 | High frequency pin | 1 |
| 14 C14-961 | 649-961 | Head cover assembly | 1 |
| C14-866 | 649-966 | Torch tube cover | 1 |
| C14-765 | 649-765 | IC300 one touch torch | 1 |
| 15 C14-118* | N/A | Lower body assembly (includes items 4 – 12) | 1 |
| C14-010 | N/A | O-ring | 5 |
| C14-283 | 648-283 | O-ring | 5 |
| C14-284 | 648-284 | O-ring | 5 |
| 027055 | N/A | Lubricant .25 oz. (7 ml) tube | 1 |

* Centricut part features a unique Hypertherm design that differs from the OEM design.

OEM Whitney®

System TRUECUT®



Consumables

| Centricut part number | Reference number | Description | Pkg qty |
|-----------------------|------------------|--|---------|
| 1 020424 | 631-452 | Shield, machine, Air, O ₂ , N ₂ , 200 amp | 1 |
| C32-924* | N/A | Shield, machine, Air, O ₂ , N ₂ , 200 amp | 1 |
| 020448 | 631-453 | Shield, Air, N ₂ , ArH ₂ , 100 amp | 1 |
| 2 020668 | 631-454 | Shield, machine, Air, 40 amp | 1 |
| 3 020423 | 631-455 | Retaining cap | 1 |
| 4 C32-608 | 631-456 | Nozzle, Air, .086, N ₂ , ArH ₂ , 200 amp | 1 |
| C32-611* | 631-457 | Nozzle, Air, .059, N ₂ , ArH ₂ , 100 amp | 1 |
| C32-689* | 631-458 | Nozzle, Air, .038, 40 amp | 5 |
| C32-605 | 631-459 | Nozzle, O ₂ , .082, 200 amp | 1 |
| C32-690 | 632-459 | Nozzle, O ₂ , .055, 100 amp | 1 |
| 5 C32-907* | N/A | Swirl ring, Air, N ₂ , ArH ₂ , 100/200 amp | 1 |
| 020613 | 631-462 | Swirl ring, Air, 40 amp, and O ₂ , 100 amp | 1 |
| 020679 | 632-455 | Swirl ring, Air, 200 amp | 1 |
| 6 020-678 | 632-456 | Swirl ring, O ₂ , 200 amp | 1 |
| 7 C32-664* | 632-457 | Electrode, O ₂ , 200 amp | 1 |
| C32-1021* | 220021 | SilverLine® electrode, O ₂ , 200 amp | 1 |
| C32-415 | 632-458 | Electrode, N ₂ , ArH ₂ | 5 |
| C32-547 | 633-706 | Electrode, Air, O ₂ , 100 amp | 5 |

Maintenance items

| Centricut part number | Reference number | Description | Pkg qty |
|-----------------------|------------------|-------------------------------|---------|
| 8 120584 | 632-599 | Torch body, 180° | 1 |
| C32-027 | 632-597 | O-ring | 5 |
| 020963 | 632-870 | Water tube | 1 |
| 9 C32-431* | N/A | Double threaded mounting tube | 1 |
| 027055 | N/A | Lubricant .25 oz. (7 ml) tube | 1 |

* Centricut part features a unique Hypertherm design that differs from the OEM design.



**Technology products for ESAB[®],
Kjellberg[®] and Kaliburn[®]**

Hypertherm[®]

Cut with confidence™

Hypertherm, Inc.
Hanover, NH 03755 USA
603-643-3441 Tel

Hypertherm (S) Pte Ltd.
Singapore 349567
65 6841 2489 Tel

**Hypertherm (Shanghai)
Trading Co., Ltd.**
PR China 200052
86-21 5258 3330 /1 Tel

Hypertherm Europe B.V.
4704 SE Roosendaal, Nederland
31 165 596907 Tel

HYPERTHERM BRASIL LTDA.
Guarulhos, SP - Brasil
55 11 2409 2636 Tel

www.hypertherm.com



Hypertherm and Centricut are registered trademarks of Hypertherm, Inc. and may be registered in the United States and/or other countries. All other trademarks are the properties of their respective owners.