

Hypertherm[®]

***Centricut[®] plasma torches
and consumables for
Komatsu[®]***

 ad technology



Product is available for the following major OEM brands

AMADA®

ESAB®

KALIBURN®

KJELLBERG®

KOIKE®

KOMATSU®

LINCOLN®

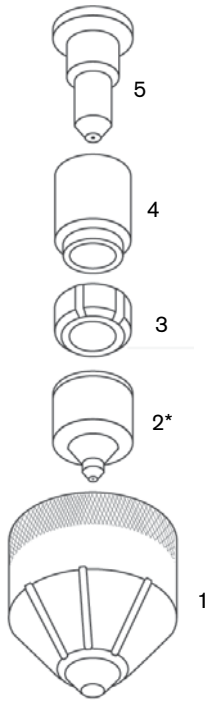
THERMAL

DYNAMICS®

WHITNEY®

WIEDEMANN®

OEM Komatsu® System Razor 40 amp



Consumables

Centricut part number	Reference number	Description	Pkg qty
C33-008T	N/A	Cap #1 with tab	1
1 C33-008	65-0432-001	Cap #1	1
2 C33-140	65-0432-003	Nozzle, O ₂ , 0.4 mm	5
C33-130	65-0432-002	Nozzle, O ₂ , 0.6 mm	5
C33-160	65-0432-013	Nozzle, O ₂ , 0.7 mm	5
C33-961*	N/A	Nozzle, O ₂ , 0.8 mm	5
3 C33-006	65-0432-006	Swirler, standard, CCW	1
C33-066	65-0432-066	Swirler, reverse, CW	1
4 C33-021	65-0432-021	Ceramic guide	1
5 C33-930	65-0432-005	Electrode with o-ring	5

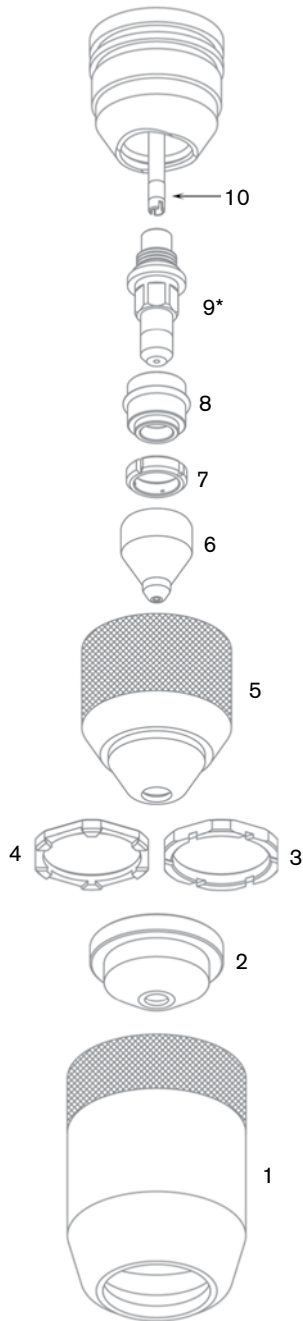
Maintenance items

Centricut part number	Reference number	Description	Pkg qty
C33-007	65-0432-007	O-ring kit	3
K33-010	969-94-41010	Razor 40 torch body	1
K33-420	65-0432-020	Razor 40 torch body with 1.8 mm leads	1
027055	N/A	Lubricant .25 oz. (7 ml) tube	1

* Centricut part features a unique Hypertherm design that differs from the OEM design.

OEM Komatsu®

System Razor 90/120 amp



Consumables

Centricut part number	Reference number	Description	Pkg qty
2 C35-019	65-0434-019	Shield cap, 90 amp	1
C35-905	65-0442-005	Shield cap, 120 amp	1
C35-004	65-0438-004	Shield cap, quick silver	1
3 C35-250	65-0442-004	Spacer ring, 120 amp	1
4 C35-540	65-0434-022	Spacer ring, 90 amp	1
5 C35-015	65-0434-015	Cap #1	1
1 C35-016	65-0434-016	Cap #2	1
C35-020	65-0438-005	Cap #2, quick silver	1
6 C35-160	65-0434-017	Nozzle, O ₂ , 0.8 mm	5
C35-180	65-0434-007	Nozzle, O ₂ , 1.1 mm	5
C35-002	65-0442-002	Nozzle, O ₂ , 1.3 mm	5
C35-8002	65-0438-002	Nozzle, "S", 0.8 mm, quick silver	5
C35-8003	65-0438-003	Nozzle, "S", 1.1 mm, quick silver	5
7 C35-018	65-0434-018	Swirler, 90 amp, CCW	1
C35-003	65-0442-003	Swirler, 120 amp, CW	1
8 C35-350	65-0434-020	Ceramic guide with o-ring	1
9 C35-1020*	65-0442-001	SilverLine® electrode, 90-120 amp	1

Maintenance items

Centricut part number	Reference number	Description	Pkg qty
10 C35-110	65-0442-009	Cooling tube, 90/120 amp	1
K35-021	65-0434-021	O-ring kit	1
K35-006	65-0442-006	Razor 90/120 torch body without o-rings	1
K35-690	969-94-49690	Razor 90/120 torch body with 6' leads	1
027055	N/A	Lubricant .25 oz. (7 ml) tube	1

* Centricut part features a unique Hypertherm design that differs from the OEM design.

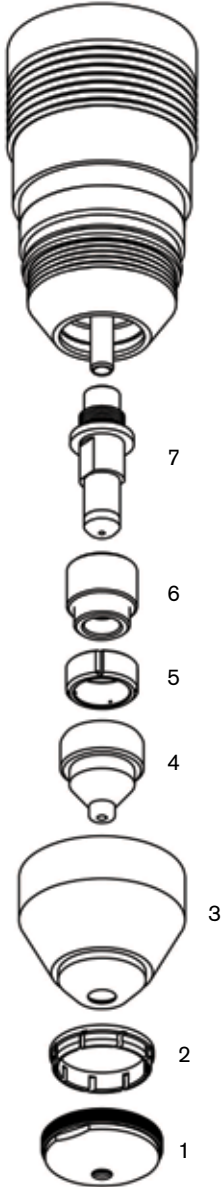
OEM Komatsu®

System Razor 300 amp

Consumables

Centricut part number	Reference number	Description	Pkg qty
1 C78-130	969-95-30130	Shield cap	1
2 C78-190	969-95-30190	Shield ring	1
3 C78-120	969-95-30210	Inner cap	1
4 C78-150	969-95-30150	Nozzle, 1.2 mm, 100 amp	1
C78-220	969-95-30220	Nozzle, 2.2 mm, 200 amp	1
C78-280	969-95-30140	Nozzle, 2.8 mm, 300 amp	1
5 C78-181	969-95-30181	Swirl ring	1
6 C78-171	969-95-30171	Guide, 300 amp	1
7 C78-1060*	969-95-30160	SilverLine® electrode, 300 amp	1

* Centricut part features a unique Hypertherm design that differs from the OEM design.





**Technology products for ESAB[®],
Kjellberg[®] and Kaliburn[®]**

Hypertherm[®]

Cut with confidence[™]

Hypertherm, Inc.
Hanover, NH 03755 USA
603-643-3441 Tel

Hypertherm (S) Pte Ltd.
Singapore 349567
65 6841 2489 Tel

**Hypertherm (Shanghai)
Trading Co., Ltd.**
PR China 200052
86-21 5258 3330 /1 Tel

Hypertherm Europe B.V.
4704 SE Roosendaal, Nederland
31 165 596907 Tel

HYPERTHERM BRASIL LTDA.
Guarulhos, SP - Brasil
55 11 2409 2636 Tel

www.hypertherm.com



Hypertherm and Centricut are registered trademarks of Hypertherm, Inc. and may be registered in the United States and/or other countries. All other trademarks are the properties of their respective owners.