



CO₂ laser consumables – Raskin®



Hypertherm®

Highest quality products

- OEM quality
- OEM-approved optics
- 100% satisfaction guarantee

Technical service

OEM-trained technicians on staff with over 25 years of experience.

Free application support for all laser OEMs.

We stand behind our products with industry-leading technical expertise.

Chemical code key

Lens

PFL	Pre-focus
MEN	Meniscus
PLX	Plano-convex
MTD	Mounted
Not MTD	Not mounted
LA	Low absorption
PO	Plano

Mirrors

CU	Copper
GAAS	Gallium arsenide
SI	Silicon
GE	Germanium
ZNSE	Zinc-selenide
PS	Phase shift
MMR	Maximum metal reflector
ATFR	Absorbing thin film reflector
TRZ	Total reflector – zero phase shift
ZPS	Zero phase shift
OC	Output coupler
RM	Rear mirror
COL-I	Collimator input
COL-O	Collimator output
AO	Adaptive optic
MO	Molybdenum
UC	Uncoated
MCX	Convex
MCC	Concave

Measurements

DIA	Diameter
FL	Focal length
ET	Edge thickness

Nozzles

CP	Chrome plated
HD/HP	High density/high pressure

Product is available for the following major OEM brands

Amada®

Behrens®

Bystronic®

Cincinnati®

Finn-Power®

GHT-SHT®

Haas®

Haco®

Hankwang®

Laserdyne®

Laser Lab®

LVD®

Mazak®

Mitsubishi®

Murata Wiedemann® – Fanuc®

Niigata®

NTC® – Beyeler®

Precitec®

Prima Industrie®

Raskin®

Rouchaud®

Salvagnini®

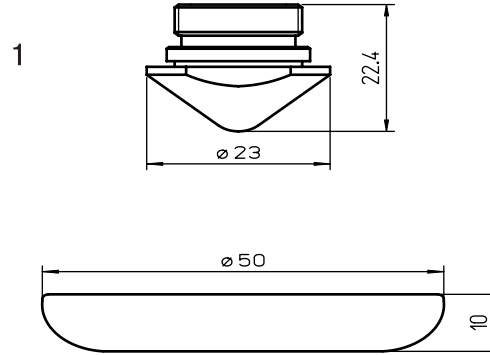
Strippit®

Tanaka®

Thyssen®

Trumpf®

Valfiv®



Consumables

Centricut part number	Reference number	Alternate reference	Description	Pkg qty
RA403-0010		L31	Nozzle – 1.0 mm	1
1 BE370-0006		L52	Nozzle – 1.2 mm	1
BE371-0006		L53	Nozzle – 1.5 mm	1
RA403-0002		AL9	Stylus foot – steel	1
2 RA403-0003		AL51	Stylus foot – Teflon®	1

Optics care

Centricut part number	Reference number	Description	Pkg qty
TR300-6452	N/A	CO ₂ Lens paper (50 sheets)	1
TR300-1010	AL1010	Dropper, lens cleaning fluid	1
TR300-255	AL255	Loupe, magnifying	1
TR300-271	AL271	Base, lens maintenance	1
TR300-7388	787388	Mirror polish (250 ml)	1



Broadest product line in the industry!



Hypertherm, Inc.
Hanover, NH 03755 USA
603-643-3441 Tel

Hypertherm Europe B.V.
4704 SE Roosendaal, Nederland
31 165 596907 Tel

**Hypertherm (Shanghai)
Trading Co., Ltd.**
PR China 200052
86-21 5258 3330 /1 Tel

Hypertherm (S) Pte Ltd.
Singapore 349567
65 6 841 2489 Tel

**Hypertherm (India) Thermal
Cutting Pvt. Ltd.**
Chennai, Tamil Nadu
91 0 44 2834 5361 Tel

Hypertherm Brasil Ltda.
Guarulhos, SP - Brasil
55 11 2409 2636 Tel

Hypertherm México, S.A. de C.V.
México, D.F.
52 55 5681 8109 Tel

www.hypertherm.com

Hypertherm[®]

Cut with confidence[™]